

Spa Ellipse

Fully programmable aerosol air freshener



Range

Air freshening

Product Code

AFR SPA ELP

The Spa Ellipse is a fully programmable aerosol air freshener designed to satisfy the needs of service professionals and end users. The unit features unrestricted personalised settings with 7, 14, 20, 30 minutes, 12 or 24 hours and 5 or 7 day options. Details such as the Spa Ellipse's large, angled easy view LCD screen and intuitive software make programming straightforward, while its unrestricted can usage range helps cut consumable costs.

The Spa Ellipse aerosol air freshening system is complemented by Kennedy's Freedom in fragrance™ range of effective EU approved air freshening fragrance. The Spa Ellipse uses two D-cell batteries and is available with a selection of customised inserts, as well as in Kennedy's range of attractive finishes¹.

Finishes available

- Arctic White
- Chrome
- Designer Grey
- Satin

Customised insert designs available

- White
- Beige
- Wood
- Turquoise
- Metal
- Water drops
- Red
- Carbon

Benefits

Smooth programming

- Large, angled, easy view LCD screen* for easy viewing
- Practical service intervals shown in weeks*
- Minimal 3-button keypad for easy programme selection

Smart choices

- Range of personalised settings to suit any location
- Unrestricted can usage range
- Quick programme change*

Skilful service

- Optional screen saver* – choose screensaver to hide days left to next service
- Automatic keypad lock for added security
- Optional low battery alarms – visible and audible

End user satisfaction

- High quality fresh, modern and effective range of fragrances*

Compliance

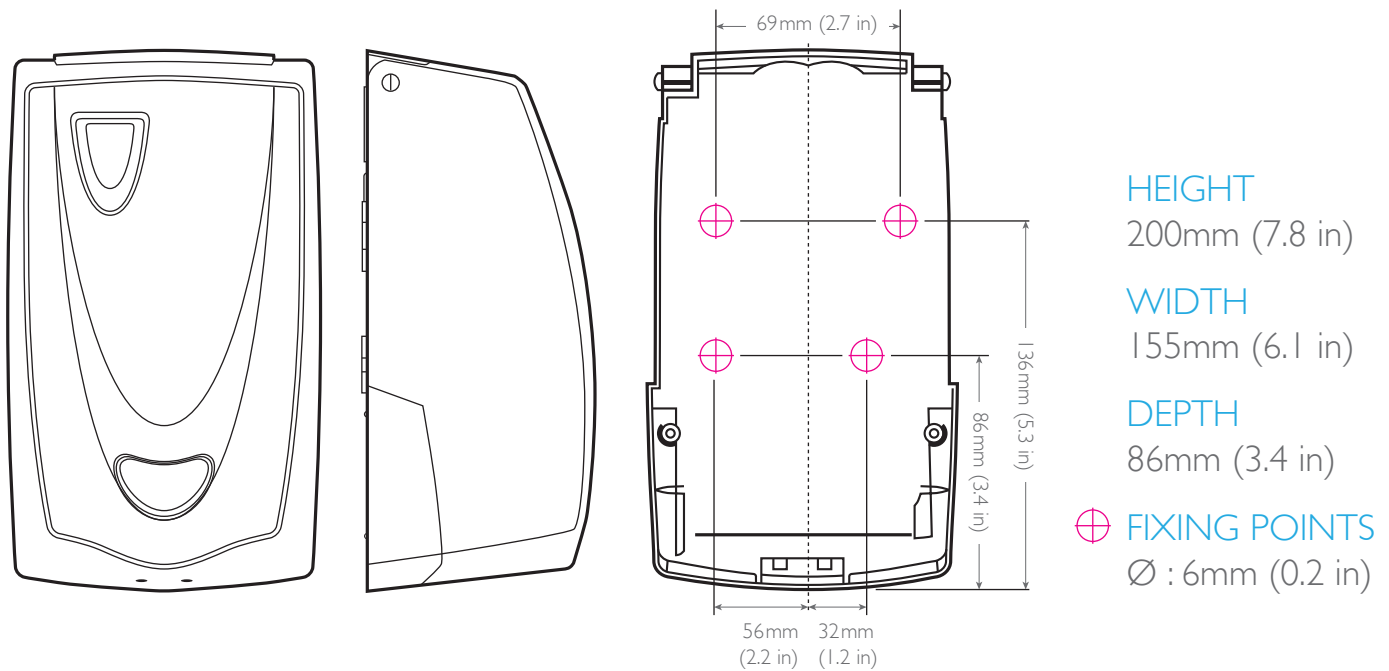
- Aerosols comply with 75/324/EEC & 94/1/EC, the Aerosol Directive and Amendment
- Aerosols are labelled to comply with the Control of Labelling and Packaging directive 1272/2008



INTEGRATED HYGIENE SOLUTIONS

¹ Customised inserts are available with the Arctic White finish. Designer Grey and Chrome finishes come with a black insert.
* Patented features

Technical Specifications



The Freedom in fragrance™ range of air freshener fragrances forms an integral part of our air freshening systems. Available in aerosol and sachet format, each fragrance counteracts both washroom and tobacco malodour:

Kennedy's Freedom in fragrance™ range:

- All fragrances counteract both washroom and tobacco malodour
- Patented dual action neutralising agent for advanced malodour control
- Safe formulations approved for use under EU regulations

Materials

Constructed from engineering thermoplastics. Dispenser can be recycled or disposed of in accordance with local regulations.

Packaging

Individual units are packed in a polythene bag. Four units are packed in a carton.

Product	Pallet	Quantity (per pallet)	Packed	Quantity per	Weight (individual)	Weight (of carton)	Measurements (carton dimensions)
Spa Eclipse	Euro	540	Carton	4	0.45kg (0.99lb)	2.0kg (4.4lb)	240 x 200 x 170mm (9.4 x 7.8 x 7.1 in)



Kennedy Hygiene Products Limited

Brookside, Uckfield, East Sussex, United Kingdom TN22 1YA

T +44 (0) 1825 768141

F +44 (0) 1825 768143

E sales@kennedy-hygiene.com

<https://kennedy-hygiene.com/>