

Easyroll Ellipse

Centre pull dispenser



Range

Hand drying

Product Code

TSD EZY ELP

Easyroll Ellipse is a centre pull paper towel dispenser for washroom, kitchen and hospitality environments.

This dispenser comes with a patented adjustable tension ring to provide controlled paper feeding for both perforated and continuous paper, and for paper types of different thicknesses to be dispensed in a controlled way.

It has a translucent blue cover that enables easy inspection of paper level. Due to high customers' demand, there is also a cover version in translucent white.

There are also two product versions that can accommodate perforated and non-perforated paper.

Finishes available

Arctic White

Benefits

Hygiene and image

- Single-use hand drying dispenser
- The paper self presents enabling maximum hygiene
- IP rated water resistant to protect paper from incoming splashes of water
- Modern design that integrates the Ellipse range

Ease of service

- Translucent cover allows for fast refill status checks
- Hinged cover for convenience and speed of service
- One security key for the whole Kennedy range
- A keyless button for areas where key locking is not necessary

Freedom and control of consumables

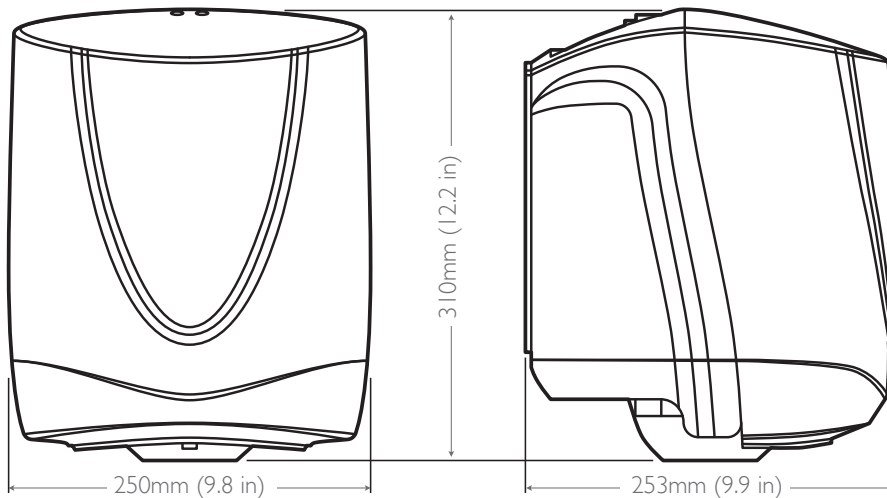
- Takes centre pull rolls of up to 210 mm in diameter and 230 mm wide
- Can dispense perforated or continuous rolls
- Patented adjustable tension ring system means controlled dispensing and minimal waste



Kennedy

INTEGRATED HYGIENE SOLUTIONS

Technical Specifications



HEIGHT
310 mm (12.2 in)

WIDTH
250 mm (9.8 in)

DEPTH
253 mm (9.9 in)

The unit can be fixed to walls using the fixings provided.

Consumables

The Easyroll has been designed for use with a wide range of centre feed rolls available on the market. The unit will work with rolls with the following specifications:

- Roll width: up to 230 mm
- Roll diameter: up to 210 mm

A standard 2-ply, perforated, 135 metre white paper roll is available from Kennedy Hygiene.

Materials

Backplate and cover are moulded in low warpage Polypropylene. Rest of the parts in Acetal. Dispenser can be recycled or disposed of in accordance with local regulations.

Packaging

Two units per box separated with a cardboard divider. Every unit is packed in a polyethylene bag. Opening knob stuck to backplate inside the unit. Individual unit weight: 0.91 kg

Product	Pallet type	Packed	Quantity per	Weight	Measurements
Easyroll Ellipse		Carton	2	2.3 kg (5 lb)	520 x 270 x 330mm (20.5 x 10.6 x 13.0in)
	Euro	Pallet	72		



Kennedy Hygiene Products Limited

Brookside, Uckfield, East Sussex, United Kingdom TN22 1YA

T +44 (0) 1825 768141 F +44 (0) 1825 768143 E sales@kennedy-hygiene.com

<https://kennedy-hygiene.com/>